



UNI-SEMICONDUCTOR CO., LTD

宇力半导体有限公司



## U6213 Data Sheet

V 1.1

版权归宇力半导体有限公司

**Features**

- Input voltage:2.5V~6.5V
- Output range:1.0V~3.6V  
(customized by every 0.1V step)
- Maximum output current: 300mA @  
VIN-VOUT=0.5V
- PSRR: 75dB @1KHz
- Dropout voltage:220mV @ IO<sub>UT</sub>=200mA
- Quiescent current: 50μA Typ.
- Shut-down current: <1μA
- Recommend capacitor:1μF
- Ultra Low Output Noise:20μVRMS

**Applications**

- MP3/MP4 Players
- Cellphones, radiophone, digital cameras
- Bluetooth, wireless handsets
- Others portable electronics device

**General Description**

The U6213 is a high accuracy, low noise, high speed, low dropout CMOS Linear regulator with high ripple rejection and fast discharge function. The devices offer a new level of cost effective performance in cellular phones, laptop and notebook computers, and other portable devices. U6213 can provide product selections of output value in the range of 1.0V~3.6V by every

0.1V step. The current limiter's fold-back circuit also operates as a short circuit protection and an output current limiter at the output pin. The U6213 regulators are available in standard SOT23-5L and DFN1×1-4 packages. Standard products are Pb-free and Halogen-free.

**Selection Table**

Part No.	Package	Temperature	Tape & Reel
U6213-XXM5G	SOT23-5L	-40 ~ +85°C	3000/REEL
U6213-XXFCG	DFN1×1—4	-40 ~ +85°C	10000/REEL

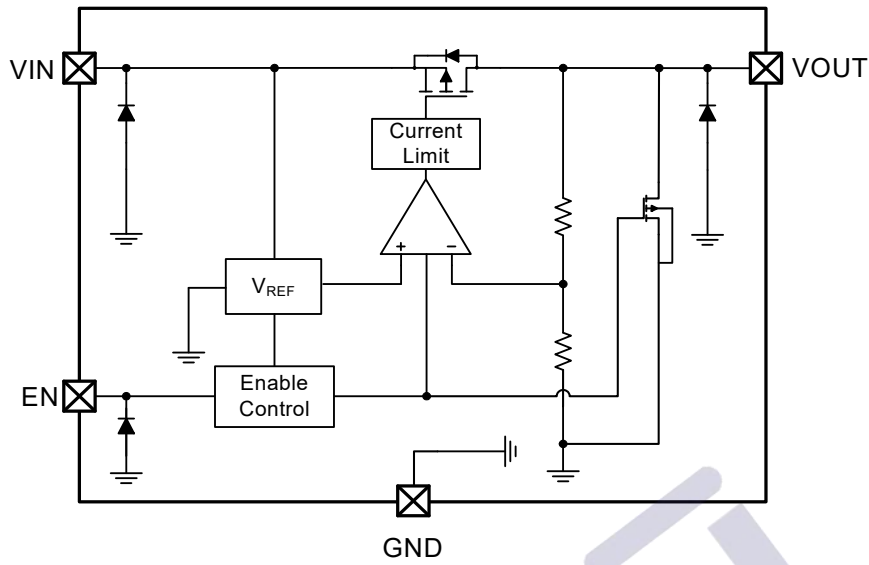
Note: XX indicates 1.0V~3.3V by 0.1V step. For example, 28 means product outputs 2.8V

**Order Information**

U6213-①②

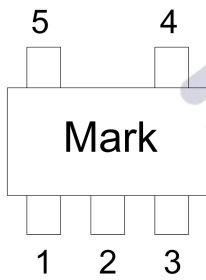
Designator	Description
①	Voltage version: XX: 1.0V~3.6V by 0.1V step Example: 28: 2.8V
②	Package: M5G: SOT23-5L FCG:DFN1×1—4

**Block Diagram**



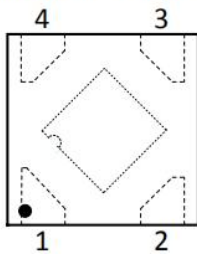
**Pin Assignment**

SOT23-5 (Top View)



PIN NO	SYMBOL	I/O	DESCRIPTION
SOT23-5L			
1	VIN	Power	Input
2	GND	Ground	Ground
3	EN	I	Enable(Active high, not floating)
4	NC	/	Not connected
5	VOUT	O	Output

DFN1x1-4L (Top View)



PIN NO	SYMBOL	I/O	DESCRIPTION
DFN1x1-4			
1	VOUT	O	Output
2	GND	Ground	Ground
3	CE	I	Enable(Active high, not floating)
4	VIN	Power	Input

### Absolute Maximum Ratings

Input Voltage.....-0.3V to 8V      Storage Temperature .....-55°C to 150°C  
 Output Current.....300mA      Package Lead Soldering Temperature.....260°C  
 Operating Temperature .....-40°C to 85°C      Junction Temperature..... -40°C to 125°C  
 Ambient Temperature.....-40°C to 85°C

Note: These are stress ratings only. Stresses exceeding the range specified under “Absolute Maximum Ratings” may cause substantial damage to the device. Functional operation of this device at other conditions beyond those listed in the specification is not implied and prolonged exposure to extreme conditions may affect device reliability.

### Thermal Information

Symbol	Parameter	Package	Max.	Unit
$\theta_{JA}$	Thermal Resistance (Junction to Ambient) (Assume no ambient airflow, no heat sink)	SOT23-5	500	°C/W
		DFN1×1—4	250	
$P_D$	Power Dissipation	SOT23-5	0.30	W
		DFN1×1—4	0.60	

Note:  $P_D$  is measured at  $T_A = 25^\circ\text{C}$

### Electrical Characteristics

The following specifications apply for  $V_{OUT}=2.8\text{V}, T_A=25^\circ\text{C}$ , unless specified otherwise

SYMBOL	ITEMS	CONDITIONS	MIN	TYP	MAX	UNIT
$V_{IN}$	Input Voltage				6.5	V
$V_{OUT}$	Output Range	$V_{OUT} < 2\text{V}, V_{IN}=2.7\text{V}, I_{OUT}=1\text{mA}$	-3	$V_{OUT}$	3	%
		$V_{OUT} \geq 2\text{V}, I_{OUT}=1\text{mA}$	-2	$V_{OUT}$	2	
$I_Q$	Quiescent Current	$V_{OUT}=2.8\text{V}, I_{OUT}=0$		50		$\mu\text{A}$
$I_{LIMIT}$	Current Limit	$V_{IN}=V_{EN}=4.5\text{V}$		300		mA
$V_{DROP}$	Dropout Voltage	$V_{OUT}=2.8\text{V}, I_{OUT}=200\text{mA}$		220	250	mV
		$V_{OUT}=2.8\text{V}, I_{OUT}=300\text{mA}$		320	350	
$\Delta V_{LINE}$	Line Regulation	$V_{IN}=2.7\sim 5.5\text{V}, I_{OUT}=1\text{mA}$		0.01	0.15	%/V
$\Delta V_{LOAD}$	Load Regulation	$V_{OUT}=2.8\text{V}, I_{OUT}=1\sim 300\text{mA}$		40	70	mV
$I_{SHORT}$	Short Current	$V_{EN}=V_{IN}, V_{OUT}$ Short to GND with $1\ \Omega$		80		mA
$I_{SHDN}$	Shut-down Current	$V_{EN}=0\text{V}$			1	$\mu\text{A}$
PSRR	Power Supply Rejection Rate	$V_{IN}=5V_{DC}+0.5V_{P-P}$ $F=1\text{KHz}, I_{OUT}=10\text{mA}$		75		dB
		$V_{IN}=5V_{DC}+0.5V_{P-P}$ $F=1\text{MHz}, I_{OUT}=10\text{mA}$		55		
$V_{ENH}$	EN logic high voltage	$V_{IN}=5.5\text{V}, I_{OUT}=1\text{mA}$	1.2		$V_{IN}$	V
$V_{ENL}$	EN logic low voltage	$V_{IN}=5.5\text{V}, V_{OUT}=0\text{V}$			0.4	V
$I_{EN}$	EN Input Current	$V_{EN}=0$ to $5.5\text{V}$			1	$\mu\text{A}$
$e_{NO}$	Output Noise Voltage	10Hz to 100KHz, $C_{OUT}=1\ \mu\text{F}$		20		$\mu\text{V}_{RMS}$

## Application Information

### INPUT CAPACITOR

An input capacitor of  $\geq 1.0\mu\text{F}$  is required between the VIN and GND pin. This capacitor must be located within 1cm distance from VIN pin and connected to a clear ground. A ceramic capacitor is recommended although a good quality tantalum or film may be used at the input. However, a tantalum capacitor can suffer catastrophic failures due to surge current when connected to a low impedance power supply (such as a battery or a very large capacitor).

There is no requirement for the ESR on the input capacitor, but the tolerance and temperature coefficient must be considered in order to ensure the capacitor work within the operation range over the full range of temperature and operating conditions.

### OUTPUT CAPACITOR

In applications, it is important to select the output capacitor to keep in stable operation. The output capacitor must meet all the requirements specified in the following recommended capacitor table over all conditions in applications. The minimum capacitance for stability and correct operation is  $0.6\mu\text{F}$ . The capacitance tolerance should be  $\pm 30\%$  or better over the operation temperature range. The recommended capacitor type is X7R to meet the full device temperature specification.

The capacitor application conditions also include DC-bias, frequency and temperature. Unstable operation will result if the capacitance

drops below minimum specified value (see the next section Capacitor Characteristics).

The U6213 is designed to work with very small ceramic output capacitors. A  $1.0\mu\text{F}$  capacitor (X7R type) with ESR type between 0 and  $400\text{m}\Omega$  is suitable in the applications. X5R capacitors may be used but have a narrow temperature range. With these and other capacitor types (Y5V, Z6U) that may be used, selection relies on the range of operating conditions and temperature range for a specified application. It may also be possible to use tantalum or film capacitors at the output, but these are not as good for reasons of size and cost. It is also recommended that the output capacitor be located within 1cm from the output pin and return to a clean ground wire.

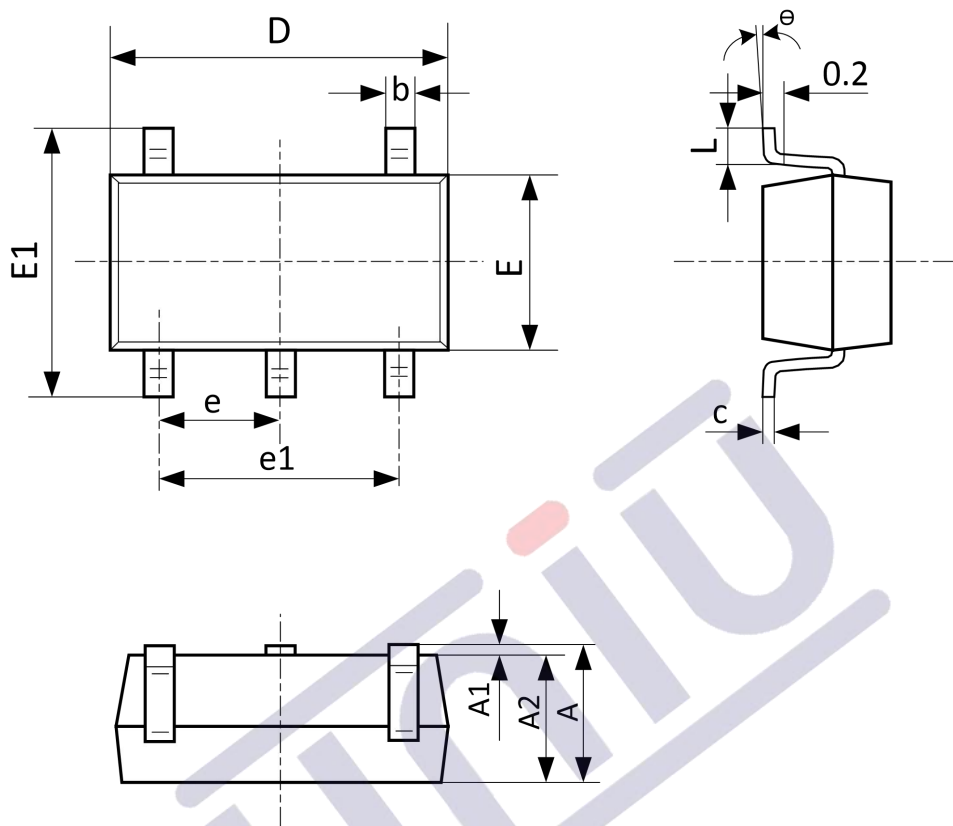
### NO-LOAD STABILITY

The U6213 will remain stable and in regulation with no external load. This is especially important in CMOSRAM keep-alive applications.

### ON/OFF INPUT OPERATION

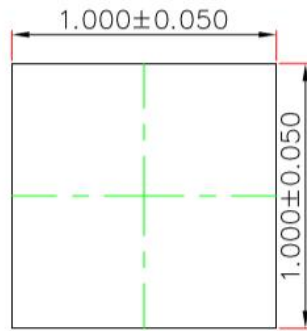
The U6213 is turned off by pulling the EN pin low, and turned on by pulling it high. If this function is not used, the VEN pin should be tied to VIN to keep the regulator output on at all time. To assure proper operation, the signal source used to drive the VEN input must be able to swing above and below the specified turn-on/off voltage thresholds listed in the Electrical Characteristics section under VIL and VIH.

**Package Information**  
**SOT23-5 Outline Dimensions**

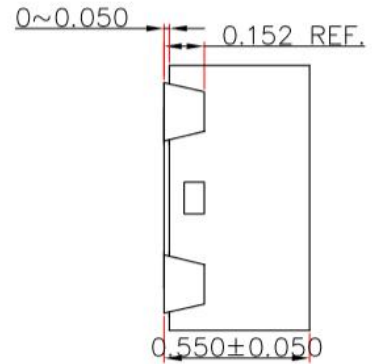


Symbol	Dimensions In Millimeters		Dimensions In Inches	
	Min	Max	Min	Max
A	1.050	1.250	0.041	0.049
A1	0.000	0.100	0.000	0.004
A2	1.050	1.150	0.041	0.045
b	0.300	0.500	0.012	0.020
c	0.100	0.200	0.004	0.008
D	2.820	3.020	0.111	0.119
E	1.500	1.700	0.059	0.067
E1	2.650	2.950	0.104	0.116
e	0.950(BSC)		0.037(BSC)	
e1	1.800	2.000	0.071	0.079
L	0.300	0.600	0.012	0.024
θ	0°C	8°C	0°C	8°C

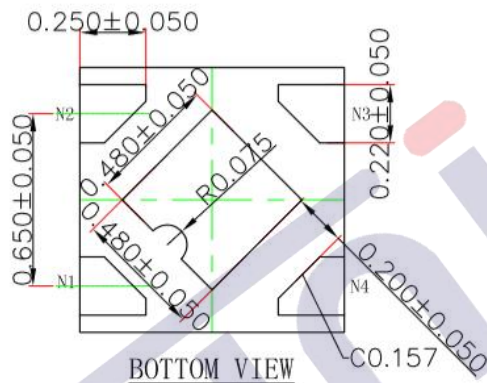
DFN1×1-4 Outline Dimensions



TOP VIEW  
[顶视图]



SIDE VIEW  
侧视图



BOTTOM VIEW  
背视图

## 1.版本记录

DATE	REV.	DESCRIPTION
2019/04/11	1.0	首次发布
2022/03/13	1.1	布局调整

## 2、免责声明

浙江宇力微新能源科技有限公司保留对本文档的更改和解释权力，不另行通知!

客户在下单前应获取我司最新版本资料，并验证相关信息是否最新和完整。量产方案需使用方自行验证并自担所有批量风险责任。未经我司授权，该文件不得私自复制和修改。

产品不断提升，以追求高品质、稳定性强、可靠性高、环保、节能、高效为目标，我司将竭诚为客户提供性价比高的系统开发方案、技术支持等更优秀的服务。

版权所有 浙江宇力微新能源科技有限公司/绍兴宇力半导体有限公司

## 3、联系我们

浙江宇力微新能源科技有限公司

总部地址：绍兴市越城区斗门街道袍渚路25号中节能科创园45幢4/5楼

电话：0575-85087896（研发部）

传真：0575-88125157

E-mail:htw@uni-semic.com

无锡地址：江苏省无锡市锡山区先锋中路6号中国电子（无锡）数字芯城1#综合楼503室

电话:0510-85297939

E-mail:zh@uni-semic.com

深圳地址：深圳市宝安区西乡街道南昌社区宝源路泳辉国际商务大厦410

电话：0755-84510976

E-mail:htw@uni-semic.com